

Single Girder Type EOT Crane

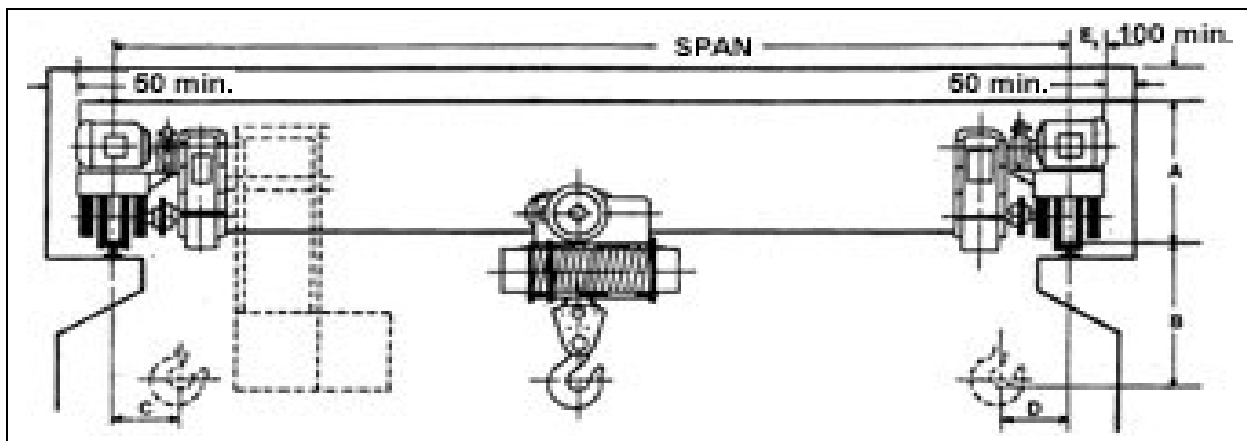
Capacity Range : 0.5 Ton to 20 Ton

Span Range : 3 metres to 30 metres

Description :

Single girder dual motor cranes provide greater floor coverage than other type cranes. The close crane end approaches coupled with a close trolley approach hoist give you more working floor coverage. This can reduce your space requirements in new buildings, or expand your usable space in existing buildings.

- Overhead Bridge controls and festooning complete a quality crane package.
- Adjustable torque magnetic disc / shoe brake for smooth operation.
- Forged steel crane wheels for long life.
- Top quality hoists matched to the duty required.
- Custom engineered to your application.
- Electric hoist conforms to IS : 3938
- State of art Computer Aided Design (CAD)
- Quality Assurance Plan (QAP) and operations inspection are incorporated up to all manufacturing processes and you get it all in writing.
- Safety, easy operation, reduced maintenance and long life.



Technical Specifications

Capacity TONNE	Span (MTRS.)	Bridge	Head Room A MTRS.	B MTRS.	Hook Approach C MTRS.	Hook Approach D MTRS.	Wheel Load	Net WT (MT)	EI/E2 MTRS.
1.0	8	Beam	0.65	0.65	0.9	0.7	0.97	1.60	0.2
	10	Beam	0.75	0.65	0.9	0.7	1.06	2.03	0.2
	15	Beam	0.80	0.65	0.9	0.7	1.26	3.00	0.2
	20	Beam	0.80	0.65	0.9	0.7	1.59	4.10	0.2
2.0	8	Beam	0.75	0.80	0.9	0.7	1.54	1.92	0.2
	10	Beam	0.80	0.80	0.9	0.7	1.60	2.12	0.2
	15	Beam	0.80	0.80	0.9	0.7	1.90	3.35	0.2
	20	Beam	0.80	0.80	0.9	0.7	2.26	4.80	0.2
3.0	8	Beam	0.80	0.90	1.0	0.7	2.10	2.00	0.2
	10	Beam	0.80	0.90	1.0	0.7	2.22	2.50	0.2
	15	Beam	0.90	0.90	1.0	0.7	2.62	4.10	0.2
	20	Box	1.00	0.90	1.0	0.7	3.17	6.30	0.2
5.0	8	Beam	0.80	1.10	1.2	0.9	3.37	2.9	0.25
	10	Beam	0.85	1.10	1.2	0.9	3.42	3.10	0.25
	15	Beam	1.00	1.10	1.2	0.9	4.05	5.60	0.25
	20	Box	1.10	1.10	1.2	0.9	4.50	7.40	0.25
7.5	8	Beam	0.85	1.40	1.25	1.0	4.85	3.60	0.25
	10	Beam	0.90	1.40	1.25	1.0	5.00	4.20	0.25
	15	Box	1.00	1.40	1.25	1.0	5.50	6.20	0.25
	20	Box	1.20	1.40	1.25	1.0	6.07	8.50	0.25
10.0	8	Beam	0.80	1.60	1.40	1.0	6.32	4.40	0.25
	10	Beam	0.90	1.60	1.40	1.0	6.47	5.00	0.25
	15	Box	1.20	1.60	1.40	1.0	7.02	7.20	0.25
	20	Box	1.30	1.60	1.40	1.0	7.55	9.30	0.25
15.0	8	Box	1.00	1.9	1.50	1.1	9.37	6.00	0.25
	10	Box	1.10	1.9	1.50	1.1	9.50	6.50	0.25
	15	Box	1.25	1.9	1.50	1.1	10.12	9.00	0.25
	20	Box	1.40	1.9	1.50	1.1	10.87	12.00	0.25
20.0	8	Box	1.00	2.2	1.50	1.1	12.20	6.80	0.25
	10	Box	1.10	2.2	1.50	1.1	12.35	7.40	0.25
	15	Box	1.35	2.2	1.50	1.1	13.30	11.20	0.25

20 Box 1.50 2.2 1.50 1.1 14.10 14.40 0.25